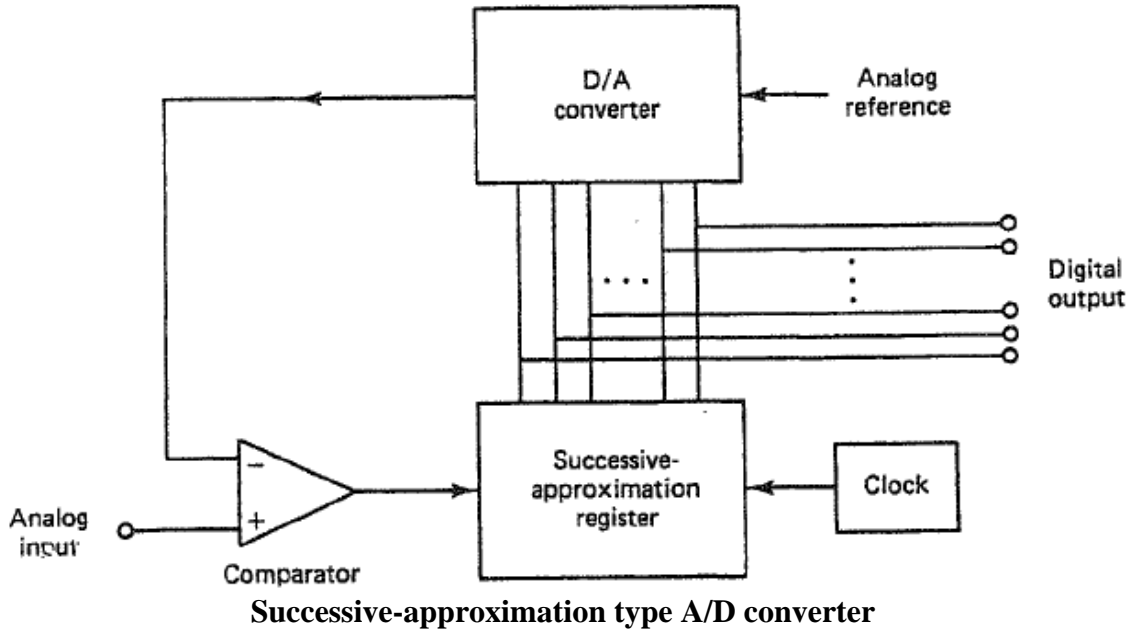
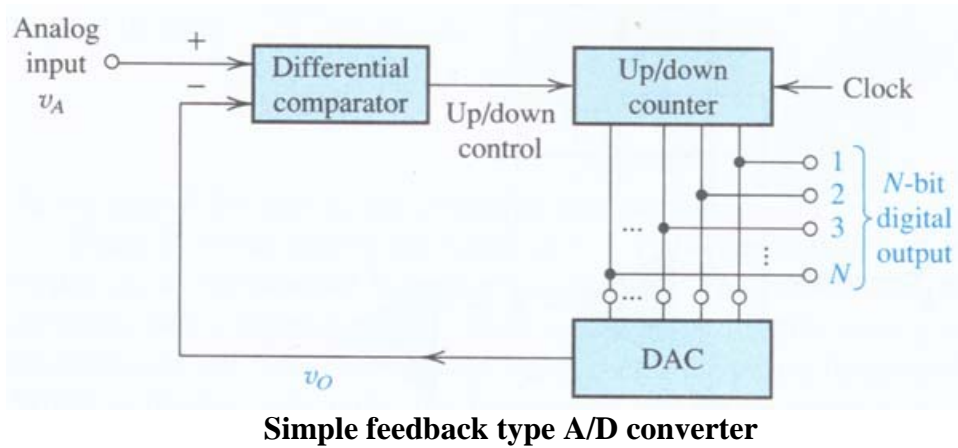


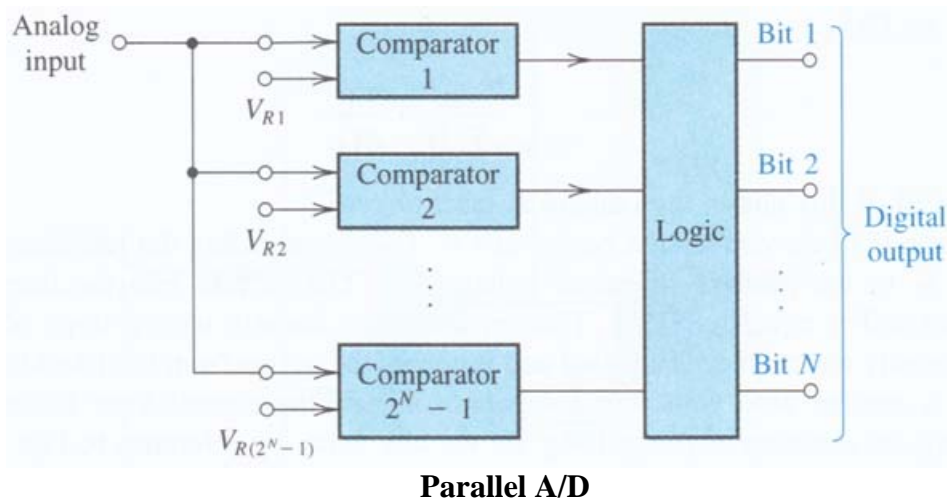
1) Successive-approximation type A/D converter



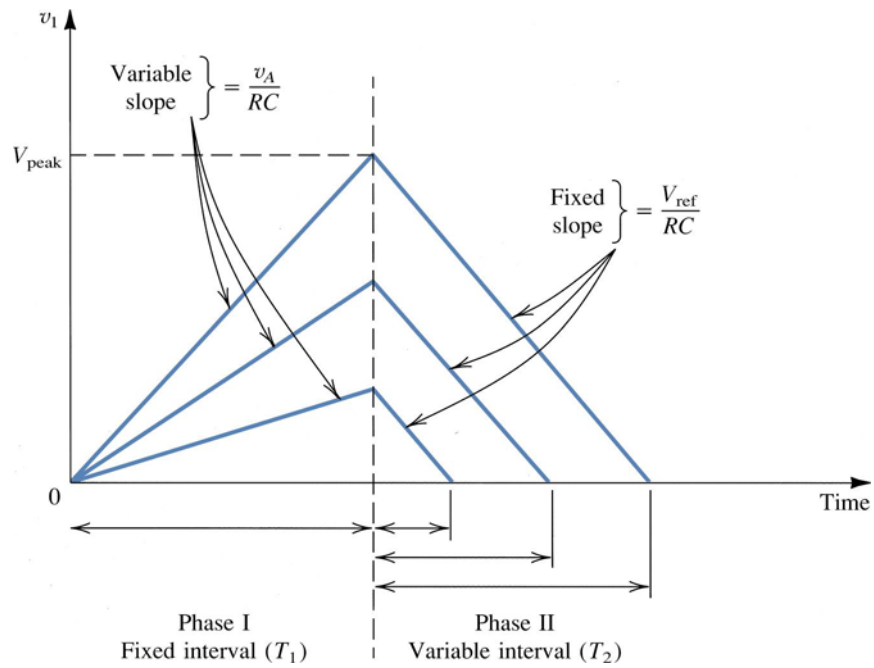
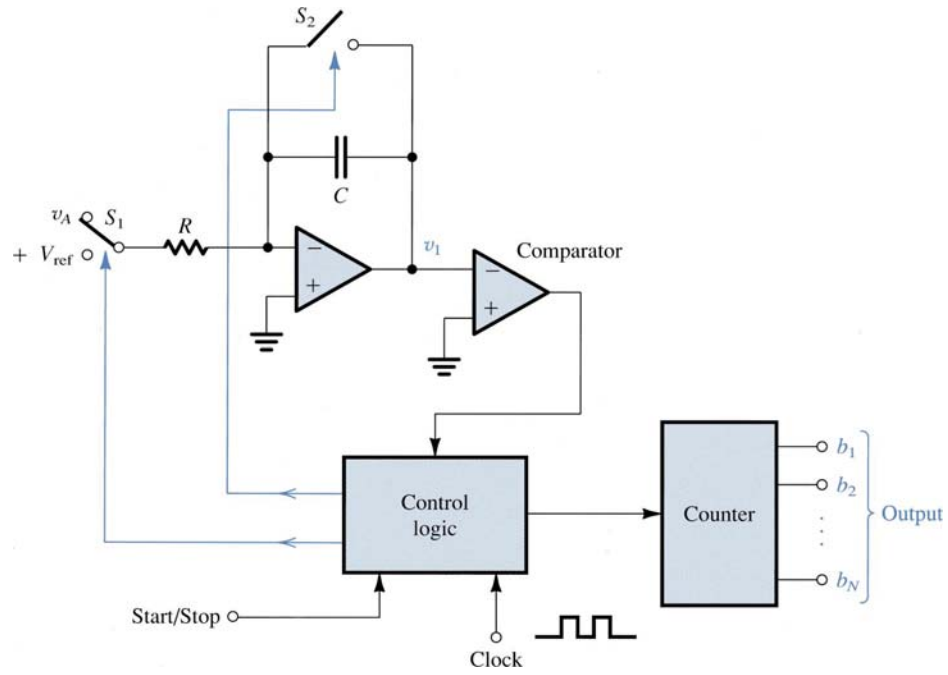
2) Feedback-type converter



3) Parallel or flash converter

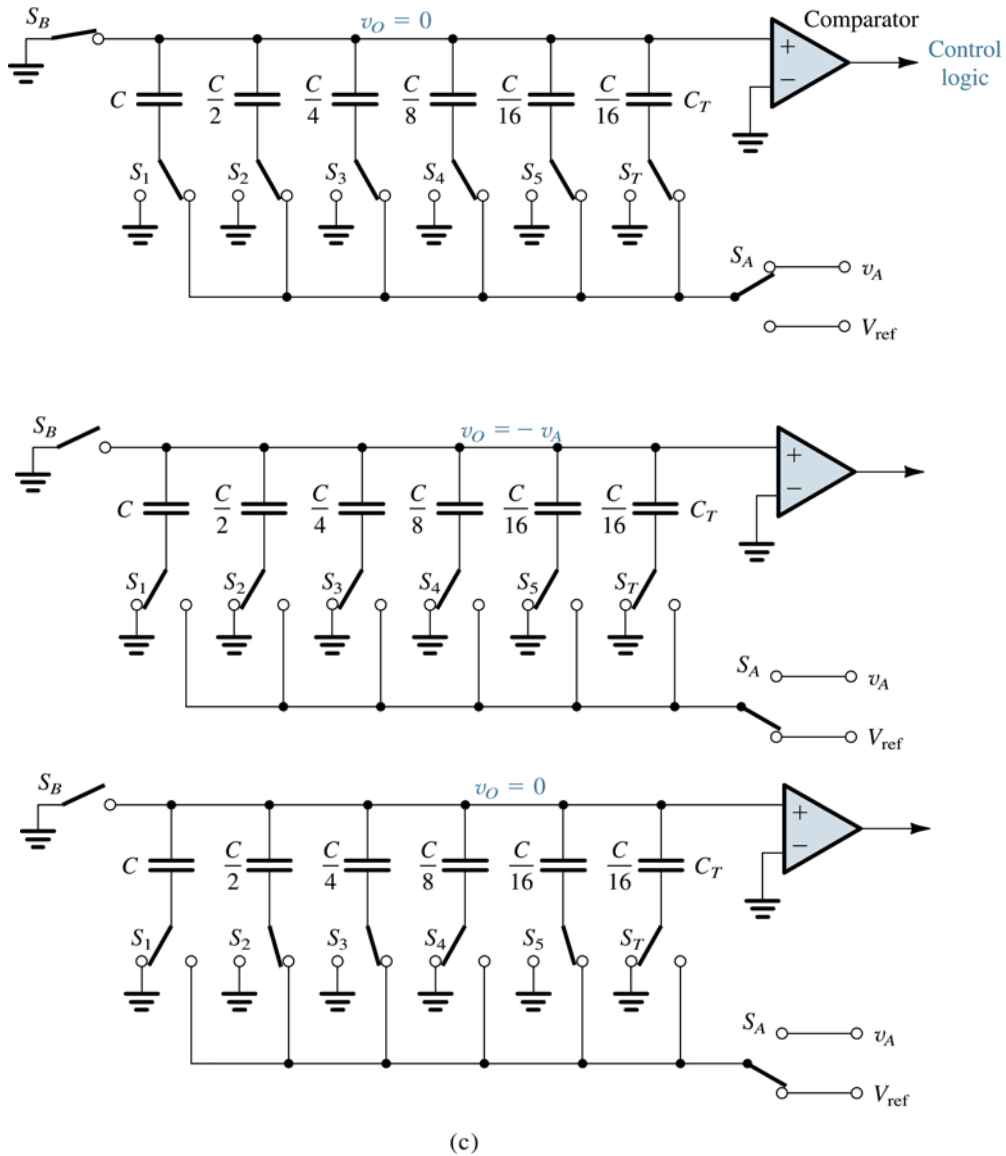


4) Dual-slope A/D converter



**The dual-slope A/D conversion method. Note that  $v_A$  is assumed to be negative.**

5) Charge-Redistribution converter



**Charge-distribution A/D converter suitable for CMOS implementation. (a) Sample phase; (b) hold phase; and (c) charge-redistribution phase.**